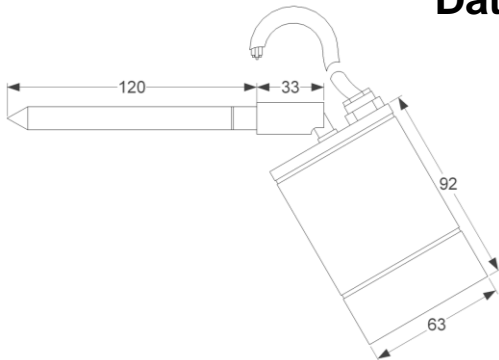


Data Specification Sheet



GU10SPIKE GU10 Garden Spike Fitting

Code	GU10SPIKE. GU10SPIKEBK
Description	GU10 Spike Fitting
Finishes available	GU10SPIKE - Stainless steel. GU10SPIKEBK - Black
Overall dimensions (mm)	See above
Product Weight	GU10SPIKE – 1.04Kg GU10SPIKEBK – 0.6Kg
Recommended product location	Indoor or Outdoor
Lamp Supplied	No
Voltage (V)	230V 50Hz
Maximum Lamp Wattage (W)	35Watts
Class	Class I. Must be Earthed
IP	IP65
Distance from lighted object	0.3M
Photometric Testing	Not available
Instruction sheet	Yes
Origin of manufacture	China
Main materials:	
• Body & Spike	GU10SPIKE - Stainless Steel GU10SPIKEBK - Die Cast Aluminium
• Glass	Tempered Glass, Temperature Rated To 300°C.
• Reflector	N/A
Method of fix	Ground Spike
Lampholder cap	GU10
Lamp type and base	GU10 35watt Max – GU10 LED
Electrical Connections	Pre-wired
Cable rating (mm SQ /C.S.A.) & type	3mtrs 1.0mm ² H05RN-F 3 core black flexible cable
CE mark	Yes
Quality Assurance System	Yes ISO 9001 QMS
Batch coding details on product	Yes
Certificate of Conformity (Held on File)	Yes
Manufactured in accordance to:	EN60598
Warranty	1 year