



Eco LED Panels

- Professional LED Panel 600 x 600mm Panel
- No lamp replacement
- Anti glare reflector
- Emergency option
- Dimmable option
- Surface mount option
- Hanging suspension option
- Aluminium & white options
- Other colour temperatures available on custom orders
- 5 year guarantee³
- Flicker Free Driver to ensure safety in public areas



Code	W	Description	Lm	Temp	Finish	Hours
09545	40	600 x 600mm LED Panel	3700	4000K	Aluminium	50000
09532	40	600 x 600mm LED Panel - Dimmable 0-10V/DALI	3700	4000K	Aluminium	50000
09562	40	600 x 600mm LED Panel 3 hr maintained Emgc Battery Pack	3700	4000K	Aluminium	50000
09536	40	600 x 600mm LED Panel 3 hr maintained Emgc Battery Pack - Dimmable 0-10V/DALI	3700	4000K	Aluminium	50000
09541	40	600 x 600mm LED Panel	3700	4000K	White	50000
09533	40	600 x 600mm LED Panel - Dimmable 0-10V/DALI	3700	4000K	White	50000
09563	40	600 x 600mm LED Panel 3 hr maintained Emgc Battery Pack	3700	4000K	White	50000
09537	40	600 x 600mm LED Panel 3 hr maintained Emgc Battery Pack - Dimmable 0-10V/DALI	3700	4000K	White	50000
09543	40	1200 x 300 LED panel	3700	4000K	Aluminium	50000
09528	40	1200 x 300 LED panel - Dimmable 0-10V/DALI	3700	4000K	Aluminium	50000
09559	40	1200 x 300 LED panel with 3hr maintained Emgc Battery Pack	3700	4000K	Aluminium	50000
09529	40	1200 x 300 LED panel 3hr maintained Emgc Battery Pack - Dimmable 0-10V/DALI	3700	4000K	Aluminium	50000
09542	72	1200 x 600 LED panel	6800	4000K	Aluminium	50000
09526	72	1200 x 600 LED panel - Dimmable 0-10V	6800	4000K	Aluminium	50000
09516	72	1200 x 600 LED panel - Dimmable DALI	6800	4000K	Aluminium	50000
09558	72	1200 x 600 LED panel 3hr maintained Emgc Battery Pack	6800	4000K	Aluminium	50000
09527	72	1200 x 600 LED panel 3hr maintained Emgc Battery Pack - Dimmable 0-10V	6800	4000K	Aluminium	50000
09517	72	1200 x 600 LED panel 3hr maintained Emgc Battery Pack - Dimmable DALI	6800	4000K	Aluminium	50000
Optional Extras						
09551	Solid Steel Surface Mounting Kit for 600 x 600mm panel - White					
09552	Solid Steel Surface Mounting Kit for 600 x 1200mm panel - White					
09553	Solid Steel Surface Mounting Kit for 300 x 1200mm panel - White					
09554	Hanging Suspension Kit					
09555	Flush Mounting Kit for 600x600mm panels only					



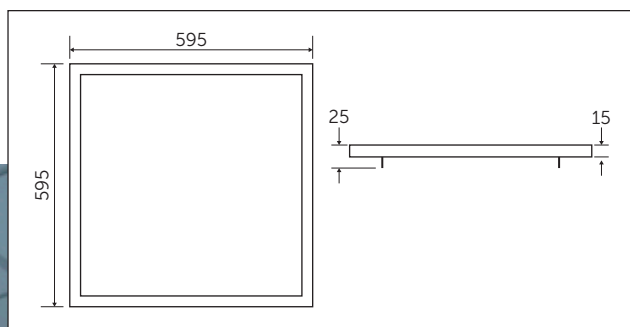
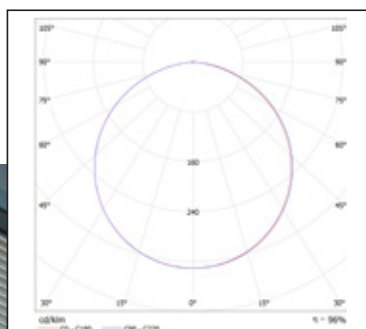
British Electric Lamps
Looking to the future

ECO

Technical Specification

Data	
Construction	Aluminium + PMMA
Driver	BELL
LED Chip	Seoul Semiconductors
IP Rating	IP20
Operating Temp	0°C to +35°C
Input Voltage	220 - 240V
Power Factor	> 0.9
CRI	85 - Exceeds EU standard of Ra 80 for Colour Rendering Index
LMR	80 - Exceeds EU standard of 70 for Lumens Maintenance Ratio
ECA Compliant	Yes
L1A / L1B / L2A / L2B Compliant	Yes

09545 Eco LED Panel



¹ Exceeds EU standard of 70 for Lumens Maintenance Ratio
² Exceeds EU standard of Ra 80 for Colour Rendering Index
³ Subject to terms & conditions