

TDTR Towel Rail



Product Description

A stylish, curved ladder towel rail finished in white or chrome

Key Features

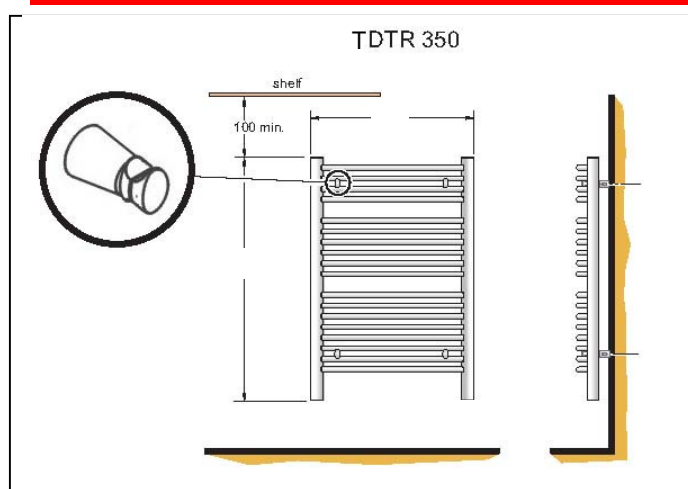
- Fluid filled for fast warm up and even heat distribution
- Energy efficient
- Easy and quick to install
- Rapid towel drying
- Range of finishes and sizes available

Technical Details

Element	Submersion element with temperature limiter and fuse link
Thermal cut out	Built-in temperature limiter and overheat protection
Electrical connection	1.0m pre fitted cable. Cable entry at bottom left rail.
Installation	3 or 4 brackets for wall mounting (see 'Accessories')
Cable	3 core cable – live, neutral, earth Cable entry on bottom left Installations must be in accordance with IEE regulations
Construction	Sealed steel shell D shaped upright bars Vertical mounted element
Class	Class I
IP Rating	IPX4
Colour / Finish	White powder coated or; Chrome plated
Accessories	TDTR175 - 3 brackets, 3 mounting screws, 3 hex. stud screws, 1 allen key TDTR350 - 4 brackets, 4 mounting screws, 4 hex. stud screws, 1 allen key

Approvals	CE and BEAB
Warranty	2 years
Country of origin	Turkey
Manufacturer	Dimplex UK

Dimensions



Model No.	Output W	Height mm	Width mm	Colour	Depth mm	Weight kg	No. of Bars
TDTR175W	175	610	453	White	80-100	4.4	12
TDTR350W	350	843	602	White	95-115	7.9	18
TDTR175C	120	610	453	Chrome	80-100	4.4	12
TDTR350C	250	843	602	Chrome	95-115	7.9	18

Packaging Details

Model No.	Length	Height	Depth	Barcode
TDTR175W	470	720	60	5011139 027009
TDTR350W	620	940	60	5011139 027023
TDTR175C	470	720	60	5011139 027016
TDTR350C	620	940	60	5011139 027030