

8W T5 300mm Miniature Triphosphor Fluorescent Tube

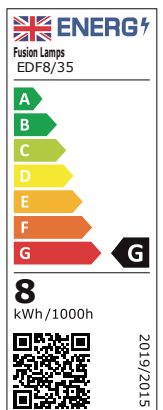
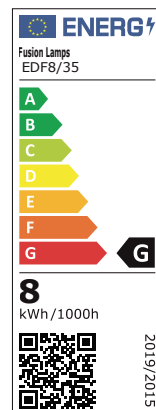
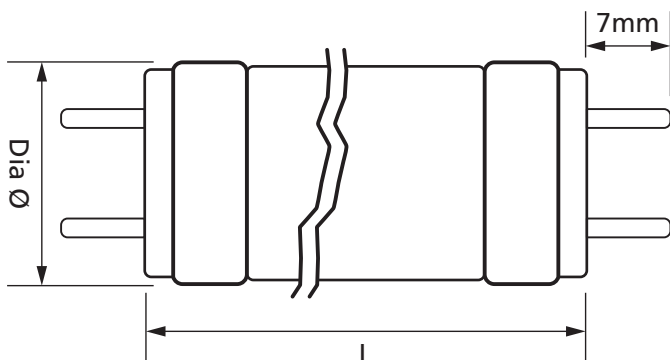
Product Ref: **EDF8/35**

Technical Features:

- Designed for high lumen output
- Good colour rendering
- Virtually constant lumen level with excellent lumen maintenance

Product Specification

Beam Angle	360°
Cap Type	G5
Colour Temperature	3500K
Compliance	UKCA, CE
CRI	60
Energy Rating	G
Finish	Opal
Lamp Life (L70/B50)	5000 hours
Lamp Type	T5
Lumens	380lm
Mercury Content	≤3mg
Wattage	8W
Weight	0.028kg
Diameter Ø	16mm
Length	300mm



Errors and omissions excepted (E&OE). All information is subject to change without notice and is correct at the time of print. Refer to issue number and date below.