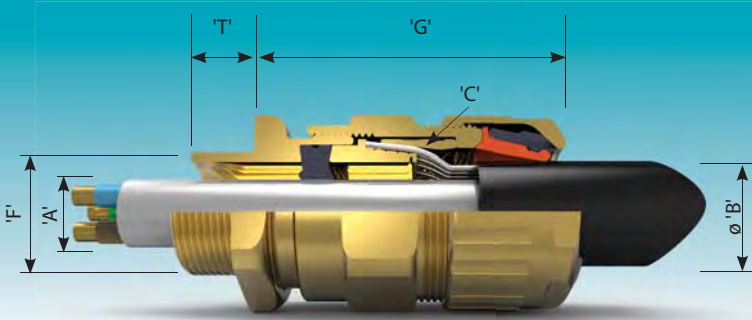


Flameproof, Increased Safety, Dust Protection  
Class - Zones - Divisions  
Certified ATEX / IECEx / c CSA us



**Application**

- Outdoor or indoor use.
- For use with single wire armour 'W', wire braid 'X', steel tape armour 'Z', elastomer and plastic insulated cables.
- See technical section for installation rules and regulations.



**CABLE GLAND SELECTION TABLE**

Size Ref.	Entry Thread Size 'F'		Cable Acceptance Details								'G'	Hexagon Dimensions	
	Metric	"NPT * Standard or Option"	Inner Sheath 'A'				Outer Sheath 'B'		Armour / Braid 'C'			Across Flats	Across Corners
			Standard Seal		Alternative Seal (S)				Orientation 1	Orientation 2			
			Min.	Max.	Min.	Max.	Min.	Max.					
Os	M20 <sup>2</sup>	½"	3.2	8.0	-	-	5.5	12.0	0.8 / 1.25	0.0 / 0.8	52.0	24.0	26.5
O	M20 <sup>2</sup>	½"	6.5	11.9	-	-	9.5	16.0	0.8 / 1.25	0.0 / 0.8	52.0	24.0	26.5
A	M20	¾" or ½"	10.0	14.3	9.0	13.4	12.5	20.5	0.8 / 1.25	0.0 / 0.8	53.0	30.0	32.5
B	M25	1" or ¾"	13.0	20.2	9.5	15.4	16.9	26.0	1.25 / 1.6	0.0 / 0.7	59.5	36.0	39.5
C	M32	1¼" or 1"	19.5	26.5	15.5	21.2	22.0	33.0	1.6 / 2.0	0.0 / 0.7	64.0	46.0	50.5
C2	M40	1½" or 1¼"	25.0	32.5	22.0	28.0	28.0	41.0	1.6 / 2.0	0.0 / 0.7	68.3	55.0	60.6
D	M50	2" or 1½"	31.5	44.4 / 42.3 <sup>1</sup>	27.5	34.8	36.0	52.6	1.8 / 2.5	0.0 / 1.0	79.0	65.0	70.8
E	M63	2½" or 2"	42.5	56.3 / 54.3 <sup>1</sup>	39.0	46.5	46.0	65.3	1.8 / 2.5	0.0 / 1.0	78.4	80.0	88.0
F	M75	3" or 2½"	54.5	68.2 / 65.3 <sup>1</sup>	49.5	58.3	57.0	78.0	1.8 / 2.5	0.0 / 1.0	83.7	95.0	104.0
G	M80	3½"	67.0	73.0	-	-	75.0	89.5	2.0 / 3.5	0.0 / 1.0	95.6	106.4	115.0
H	M90	3½"	67.0	77.6	-	-	75.0	89.5	2.0 / 3.5	0.0 / 1.0	95.6	115.0	130.0
J	M100	4"	75.0	91.6	-	-	88.0	104.5	2.5 / 4.0	0.0 / 1.0	95.6	127.0	142.0

<sup>1</sup>'T' — Os - F size metric entry threads are 1.5mm pitch as standard, 15mm length of thread. For G size glands and above, a 2mm pitch is supplied as standard, 20mm length of thread (1.5mm pitch with 15mm length of thread can be supplied) please specify when ordering.  
All dimensions in millimetres (except \* where dimensions are in inches).

<sup>1</sup> Smaller value is applicable when selecting reduced NPT entry option.

<sup>2</sup> Sizes Os and O are available with an M16 thread size. For O size with M16 thread, the maximum cable inner sheath diameter is 10.9mm.

**Technical Data**

**ATEX/IECEx**

- Flameproof Exd IIC Gb, Increased Safety Exe IIC Gb and Dust Extb IIIC Db Ⓢ II 2 GD.
- Certificate No's: Baseefa06ATEX0056X and IECEx BAS 06.0013X. Suitable for use in Zone 1, Zone 2, Zone 21, Zone 22 and in Gas Groups IIA, IIB and IIC.
- Construction and Test Standards: IEC/EN 60079-0, IEC/EN 60079-1, IEC/EN 60079-7 and IEC/EN 60079-31.
- Ingress Protection: IP66, IP67 and IP 68\* (30 metres for 7 days) to IEC/EN 60529 and NEMA 4X.
- Deluge Protection to DTS01. (Deluge Seal Optional)
- Operating Temperature Range: -60°C to +100°C.
- Assembly Instruction Sheet: AI 302.

**c CSA us**

- Flameproof AExd IIC Gb, Increased Safety AExe IIC Gb and Dust AExtD Zone 21.
- Explosion-proof Class 1 Division 2 Groups ABCD, Class II Division 2 Groups EFG, Class III.
- Certificate No's: CSA1015065 for Marine Shipboard Cable.

- Construction and Test Standards: UL 60079-0, UL 60079-1, UL 60079-7, ISA 60079-31, CSA 22.2 No: 60079-0, CSA 22.2 No: 60079-1, CSA 22.2 No: 60079-7, CSA 22.2 No: 60079-31, UL 2225

**Features**

- Provides armour clamping using one clamping arrangement for all armour / braid types.
- Provides a seal on the cables inner sheath.
- Provides a cable retention and low smoke and fume, zero halogen seal onto the cables outer sheath.
- Manufactured in Brass (standard), Nickel Plated Brass, 316 Stainless Steel or Aluminium.
- Brass NPT entries are nickel plated as standard.

**Alternative Reversible Armour Clamping Rings (RAC)**

**SELECTION TABLE**

Size Ref.	Steel Wire Armour / Braid / Tape	
	Orientation 1	Orientation 2
B	0.9 - 1.25	0.5 - 0.9
C	1.2 - 1.6	0.6 - 1.2
C2	1.2 - 1.6	0.6 - 1.2
D	1.45 - 1.8	1.0 - 1.45
E	1.45 - 1.8	1.0 - 1.45
F	1.45 - 1.8	1.0 - 1.45

**Ordering Information**

Format for ordering is as follows:  
Alternative Clamping Ring (AR), add suffix AR to ordering information. Alternative Seal (S), add suffix S to ordering information.

Cable Gland Type	Size	Thread	Material	(Optional)
501/453/RAC	C	M32	Brass	AR
501/453/RAC	C	1 ¼" NPT	Brass	AR
501/453/RAC	C	M32	Brass	S
501/453/RAC	C	1 ¼" NPT	Brass	S

Alternative certification options available:  
UL, CSA, CE, IEC, ATEX, Ex, IP, NEMA, etc.

**Connection Solutions**