

 **HEATSTORE**

Issue 1

NEW

DYNAMIC

INTELI RAD 

The Smart Radiator



Up to
51%
Energy Saving
with
Eco-Start*

UNIQUE INTELLIGENCE

Heatstore's reputation has been built on developing and supplying innovative electric heating solutions.

Designed and developed by a team of engineers and developers in the UK, Intelirad incorporates the most advanced technologies to give you maximum control over your heating, whether for home or office.

Within a modern busy lifestyle Intelirad does the thinking for you, learning about your environment and lifestyle to then maintain comfortable living temperatures and optimise efficient energy usage.

The radiator that learns your environment and lifestyle

Simply choose when you want heat and at what temperature and let Intelirad do the rest. Using its brain to monitor its actions on a room's temperature, working out the best start up time on that particular day.

There's no other electric oil-filled radiator available in the UK today with the same unique intelligence.



- ✓ **INTELI** - **Adaptive Temperature Control**
Environment Learning
- ✓ **INTELI** - **Eco Start**
Delayed Anticipatory Control
- ✓ **INTELI** - **Smart Open Window Technology**
Instant Energy Waste Reduction
- ✓ **INTELI** - **Dynamic Efficiency + Technology**
Electronic Thermostat Accuracy
+/-0.2°C
- ✓ **INTELI** - **Touch Sensitive Control System**
with Audio Feedback
- ✓ **INTELI** - **Colour Changing LCD Display**
Graphic Temperature Indication
- ✓ **INTELI** - **FREE 3D AutoCAD**
Heating Design Scheme Service
- ✓ **INTELI** - **3 Years On-site Warranty**
10 Years Aluminium Body

3 YEAR COMPREHENSIVE
ON-SITE WARRANTY

See page 14 for more details



GOOD THINKING

Adaptive Temperature Control with Environmental Learning

The Intelirad thinks for itself – learning from its own environment to maximise efficiency and comfort.

Continuously monitoring the room temperature, it uses algorithms to constantly calculate when it should start or stop to warm the room for your desired temperature and duration.

This radiator is intelligent enough to only use the energy required

Unlike other radiators and set timers, Intelirad thinks and acts on local or micro-environmental circumstances, overriding rigid seasonal averages. It will only startup or continue when necessary to achieve your optimal comfort temperature.

Eco-start delayed start and anticipatory control

Intelirad has a unique self-learning, delayed start function, which learns the thermal profile of a room or office. It then determines how long the appliance needs to operate in order to reach target temperature based on factors such as room size, heat losses and the prevailing weather.

Measuring the heat-up and cool down times of the room in relation to the external temperature, the radiator will calculate what time it needs to start heating in order to reach the user-defined target temperature at a specified time.



Remove the guess work

Intelirad minimises energy wasted by other traditional radiators, delivering real cost savings for users. E.g. If you plan to get up at 7am and your desired temperature is 21°C: with a pre-set timer system, you would need to estimate when to set the heating to come on to ensure it preheats the room on time.

Depending on your settings and the prevailing temperature, this could mean that the room is still cold when you get up or that it has been warm for some time before it needed to be. However, (as the graphs to the right demonstrate) with this clever feature, Intelirad anticipates when it needs to start heating to reach 21°C by 7am, pre-heating for shorter periods when the weather is mild and longer periods to ensure you are warm in winter.

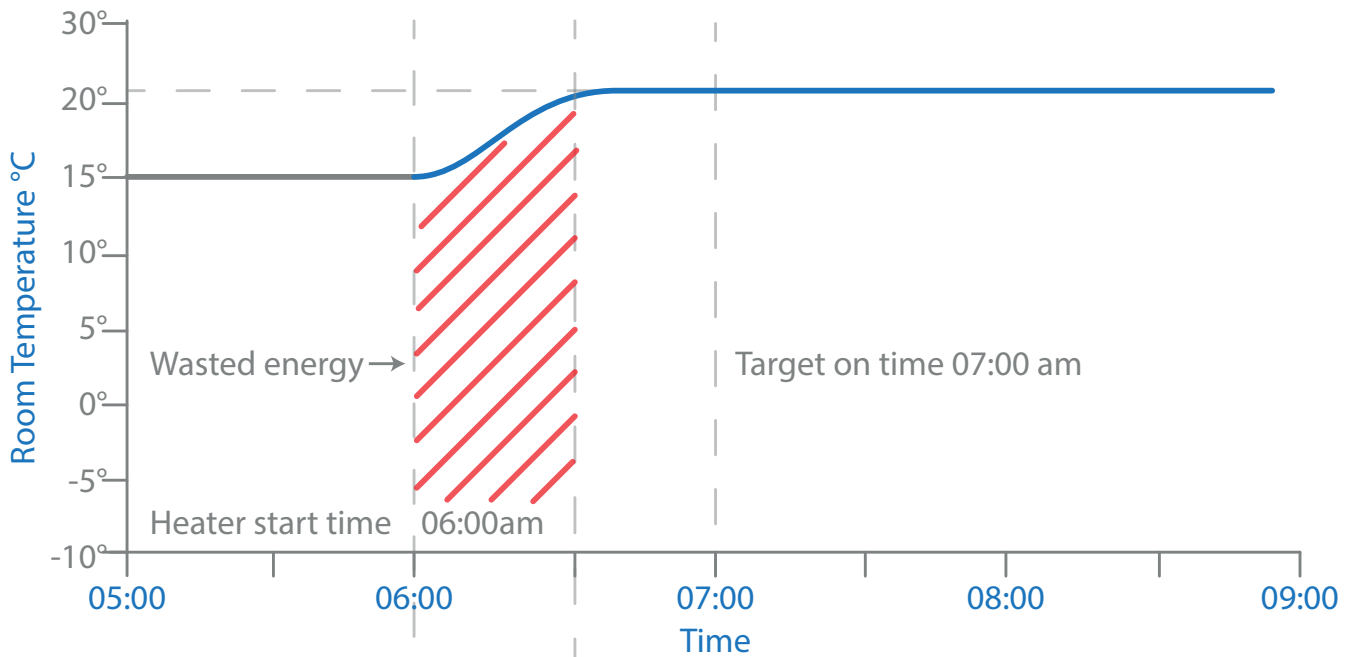
**The Intelirad learns exactly when to
turn on to heat the room to desired
temperatures, saving up to 51% energy
when not required.***

*Time savings calculations based on average UK temperature
www.metoffice.gov.uk

More thinking power means less wasted energy

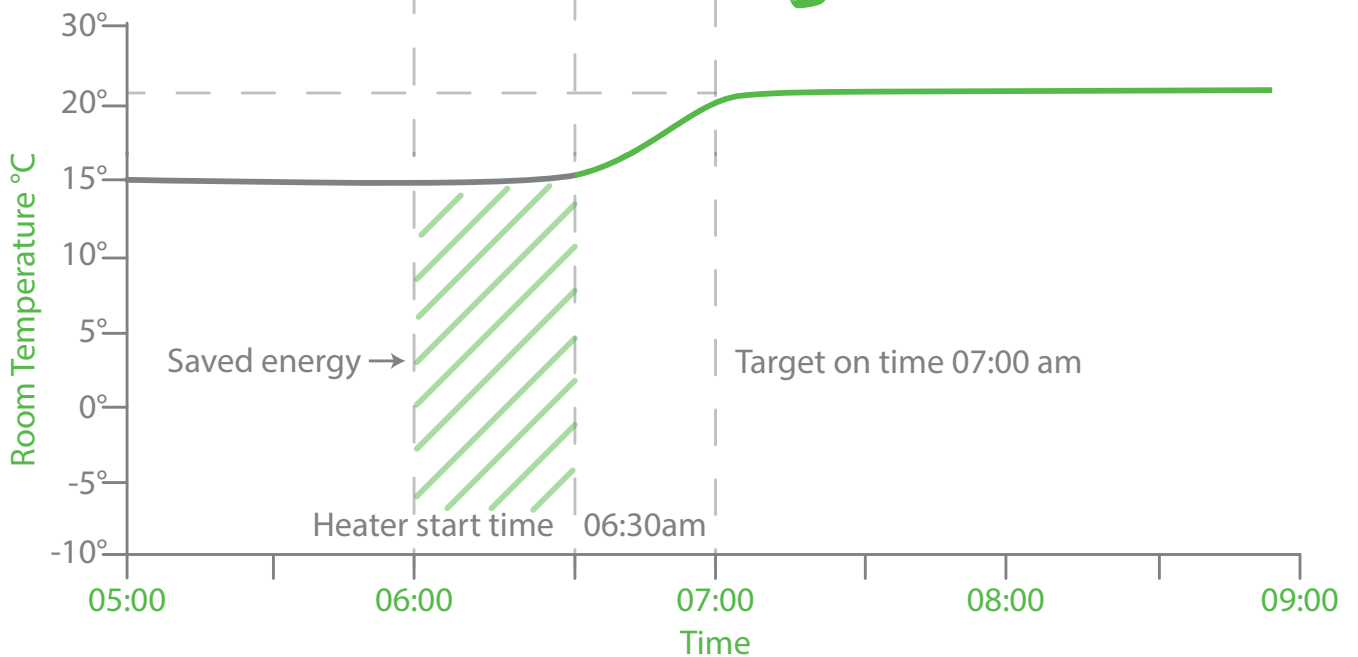
Traditional Set Timer

Room target temperature 21°C



Eco-Start

Room target temperature 21°C



The intelligence to start up only when required

EASE OF USE

Advanced touch control system

Although sophisticated technology, Intelirad is designed to be user-friendly with busy contemporary lifestyles in mind.

Full instructions are provided including a Quick Start Guide for easy set up and operation.

Intelirad Settings

In addition to the standard presets further options include:

- ✓ **INTELI - Out All Day**
- ✓ **INTELI - Home All Day**
- ✓ **INTELI - Holiday - (turns your heater back on the day you return)**
- ✓ **INTELI - User Timer**
- ✓ **INTELI - Advanced Audio Feedback**
- ✓ **INTELI - Frost Protection**
- ✓ **INTELI - Child Lock**

Colour Changing Display

For easy temperature recognition at a quick glance, the Intelirad screen shows one of four distinct colour displays. This can be of benefit to the visually impaired, particularly coupled with the option of audio reinforcement.



1-16°C



17-19°C



20-21°C



22-26°C

ULTIMATE FLEXIBILITY

For home or office

Hectic modern lifestyles are accommodated by the multitude of possible settings.

The Intelirad's timer gives 24 hour, 7 day flexibility, with 28 individual timer settings – 4 on and 4 off each day.

There's no need to waste energy over the weekend or other times when a workplace isn't occupied.

When considered in combination with the intelligence of the Intelirad, this flexibility allows ultimate efficiency.



Model HSDI2000 pictured. Electrical connections not shown.

- ✓ INTELI - Easy to see, read and programme controls
- ✓ INTELI - Quick Start User Guide with each heater



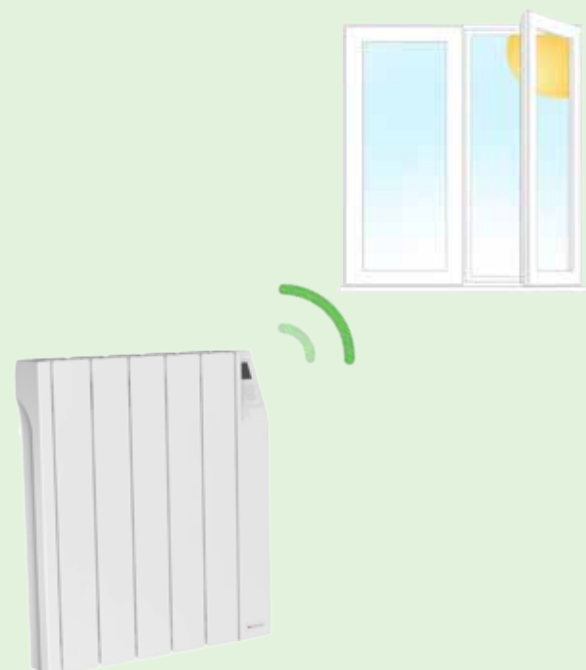
THINKING INSIDE THE ROOM

InteliSmart Open Window Technology

If an internal window or door is accidentally left open, Intelirad will detect the sudden change in temperature and instantly scale back the output to 50%, rather than continue to provide 100% output.

Once the window or door has been closed, the radiator will return to normal operation equally swiftly. This highly responsive technology ensures the output from the heater is optimised when heat is escaping from a room, thereby avoiding wastage and saving the user money.

There is no other radiator that reacts so quickly and efficiently.



MIND CONTROL

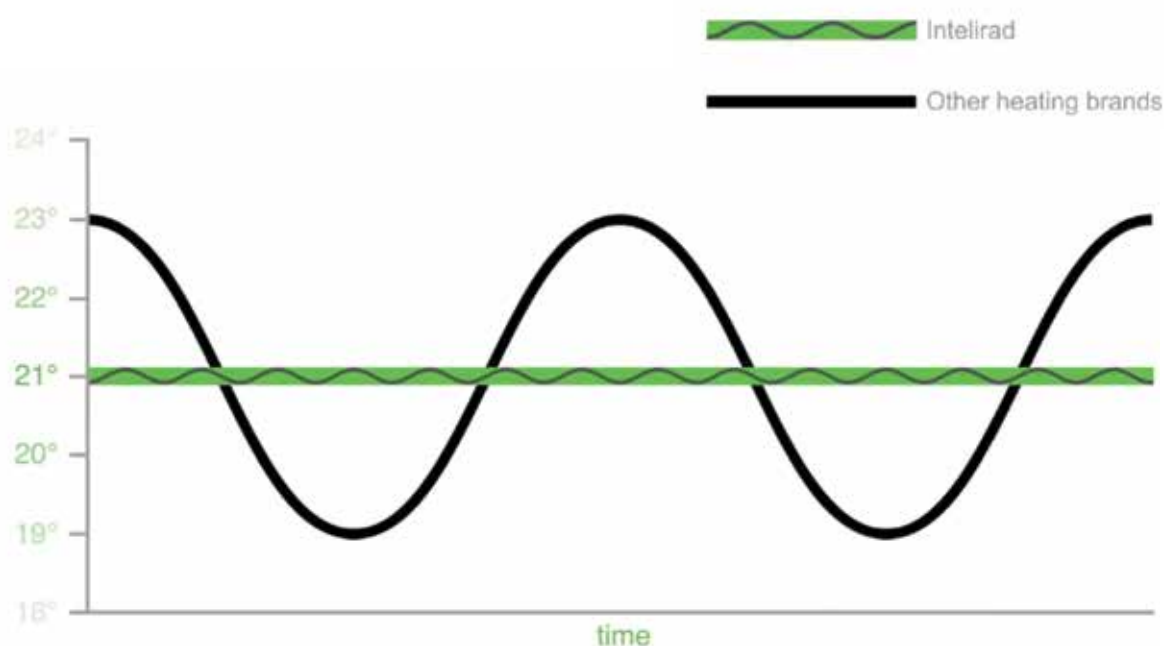
Highly accurate electronic thermostat (to $\pm 0.2^{\circ}\text{C}$).

Heatstore has developed Dynamic Efficiency + Technology.

Put simply, it means as the room temperature nears the desired point, the electronic processor within the heater constantly monitors the power to the elements giving an accuracy of $\pm 0.2^{\circ}\text{C}$. This minimises overshoot and temperature drift, resulting in complete user comfort and total energy efficiency.

Dynamic
Efficiency +
Technology
accurate to
 $\pm 0.2^{\circ}\text{C}$

Dynamic Efficiency + Technology



FULL METAL BRACKET

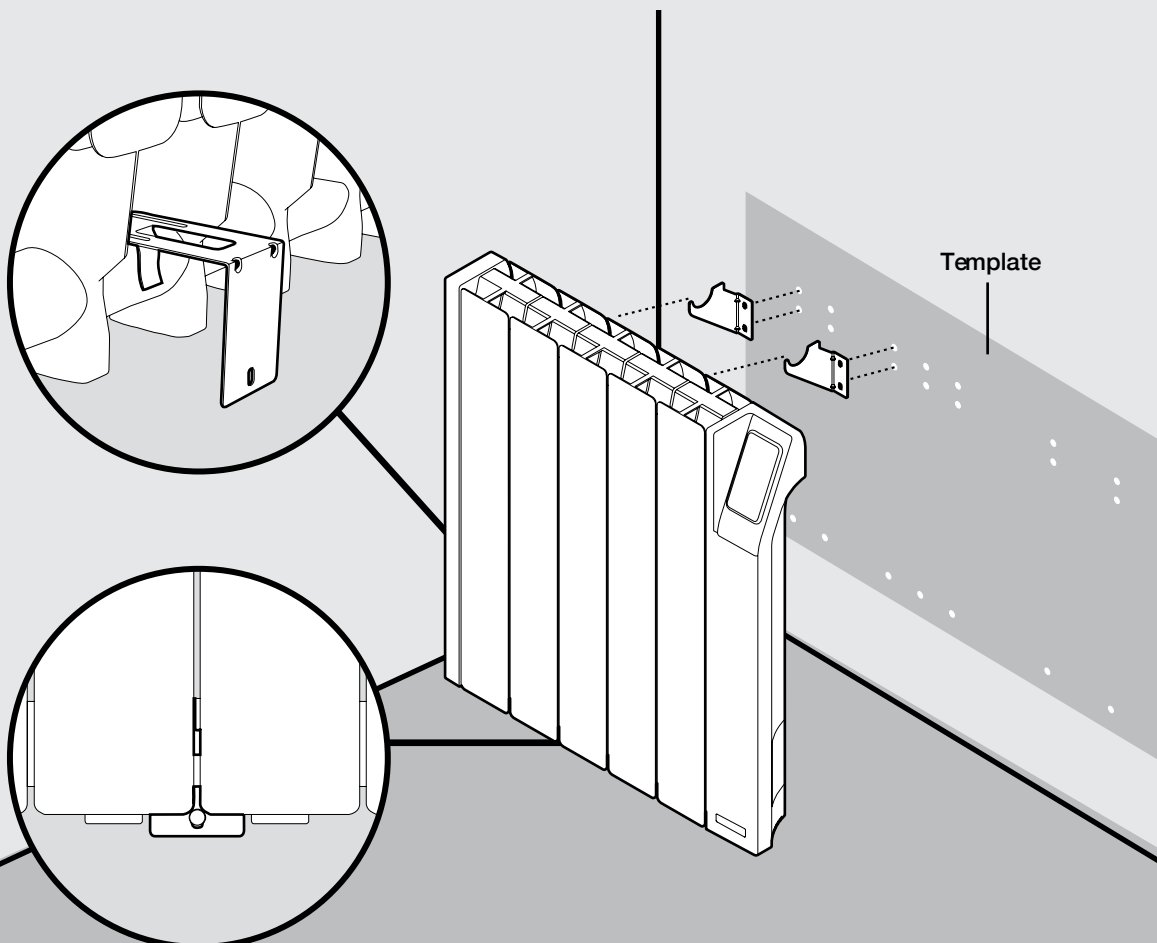
Plastic fixings, as used by other radiators on the market, have a history of vulnerability to continued heating and cooling, resulting in the brackets becoming brittle and even unsafe.

The Intelirad has more durable and reliable metal brackets, designed for the long term, in fact well beyond our 10 year aluminium parts guarantee.

- ✓ **INTELI** - High load bearing, full steel brackets
- ✓ **INTELI** - Easy-install 1 man fit
- ✓ **INTELI** - Card wall template supplied for all sizes

Easy to Install

It's a one man job to fit the radiator, thanks to the template provided allowing swift and accurate positioning. Plus this optimised and efficient radiator is proportionately smaller per kW and lighter than most other radiators in its class.



THE RANGE

Specifications & Dimensions



MODEL NO.	WATTS	FINS	HEIGHT	WIDTH	DEPTH	INSTALLED WEIGHT
HSDI330	330W	3	575mm	340mm	80mm	6.5kg



MODEL NO.	WATTS	FINS	HEIGHT	WIDTH	DEPTH	INSTALLED WEIGHT
HSDI500	500W	5	575mm	500mm	80mm	9.5kg



MODEL NO.	WATTS	FINS	HEIGHT	WIDTH	DEPTH	INSTALLED WEIGHT
HSDI750	750W	6	575mm	580mm	80mm	11.2kg



MODEL NO.	WATTS	FINS	HEIGHT	WIDTH	DEPTH	INSTALLED WEIGHT
HSDI1000	1000W	7	575mm	660mm	80mm	12.7kg



MODEL NO.	WATTS	FINS	HEIGHT	WIDTH	DEPTH	INSTALLED WEIGHT
HSDI1500	1500W	10	575mm	900mm	80mm	17.8kg



MODEL NO.	WATTS	FINS	HEIGHT	WIDTH	DEPTH	INSTALLED WEIGHT
HSDI2000	2000W	12	575mm	1060mm	80mm	20.9kg

FREE HEATING DESIGN SCHEME SERVICE

Dynamic Heating Design Scheme

The Dynamic heating design service is part of Heatstore's commitment to electrical contractors, developers, heating consultants and their customers, providing specialist product and technical support.

From drawings supplied

The technical team will develop a design solution providing a scheme, listing the number and size of heaters required. This will be calculated taking into account 'U' values and construction details such as walls, floors, window and roof, whether these are insulated, cavity or solid walls, timber or solid floor, pitched or flat roof and level of glazing for the windows.

3D visuals

Free of charge with no obligation to the customer, Heatstore use the latest AutoCAD software to design schemes tailored to each specific property. This can be from a one bedroom flat to a 200 room hotel, offering the same level of high detail and complexity.

The computer generated 3D visual results are then transferred onto the drawings supplied, clearly showing where to site the appropriate heater.

Results within 48 hours

A report is provided with estimated running cost for the heating season, showing design temperatures, heat loss, kW installed and the calculation of daily running costs for the property.

The Dynamic Intelirad guarantee

Once the technical team have designed a heating scheme, they are so confident that the Heatstore Intelirad heaters will meet requirements that in addition to on-site warranties they offer the Dynamic Intelirad Guarantee.

If for any reason the property does not achieve and hold the designed and specified room temperature after installation, Heatstore will offer free of charge heaters to ensure the design temperature of the scheme is achieved.

Offering above and beyond industry standards continues to enhance Heatstore's reputation for quality and innovation.



UNIQUE 3 YEAR ON-SITE WARRANTY

Piece of mind for supplier, installer and end user

We are so confident in the quality of our Dynamic Intelirad that every radiator carries a full 3 Year, no quibble Service Warranty at the customer's address, where a Heatstore service engineer will call, repair or replace up to 3 years from purchase.

No other electric oil-filled heater company in the UK offers this level of warranty.

- ✓ **INTELI** - Installer can "fit and forget"
- ✓ **INTELI** - Consumer can be assured by the one central responsible organisation
- ✓ **INTELI** - Specifier - professional backup for their residents

10 years peace of mind

Dynamic Intelirad delivers not only high reliability it is also virtually maintenance free.

For added confidence Heatstore offers every Intelirad with a 10-year Aluminium Body Warranty.

A unique level of service to Heatstore specifiers and customers UK-wide



ENVIRONMENTALLY AWARE

CE

Certifies that a product has met the health, safety and environmental requirements of the European Union, thereby ensuring consumer and workplace safety.

EN60335

Certifies that a product meets the Low Voltage Directive (LVD) series of standards for domestic appliances.

EMC

Products constructed within standards set by the Electromagnetic Compatibility (EMC) Directive; they do not cause excessive electromagnetic interference and are not unduly affected by electromagnetic interference.

GREEN SPOT

Our Green Spot products are designed and manufactured with the environment in mind, offering energy savings and efficiencies over the life of the product.

ROHS

Intelirad is manufactured in compliance with The Restriction of the Use of Certain Hazardous Substances (RoHS) in Electrical and Electronic Equipment (EEE) Directive (2011/65/EU), transposed into UK law on 2 January 2013. This legislation bans the placing on the EU market of new electrical and electronic equipment containing more than the agreed levels of: lead, cadmium, mercury, hexavalent chromium, polybrominated biphenyls or polybrominated diphenyl ethers.



Electricity vs other fuels

Whether you are a specifier, social housing provider, homeowner or tenant, safety is a key consideration when selecting a heating system.

Heatstore Dynamic Intelirad has a number of safety benefits over other fuels:

- With the vast majority of electric heating systems, there are no radiators to leak or burst, so there is less risk of property damage – especially relevant if the property is likely to be vacant for a period of time, or the property is within an apartment block which could damage neighbouring properties.
- With very few moving parts to break down or wear out, electric heating is also extremely reliable and will normally run satisfactorily for much longer

than a conventional wet system, avoiding the need for inconvenient call backs.

- Electric heaters do not burn fuel internally to generate heat, therefore there are none of the associated safety risks, such as carbon monoxide poisoning or explosions. If you are a social housing provider or private landlord, the law also requires you to ensure that any gas appliances in your properties are checked annually to confirm they are working safely.

Apart from how much this will cost in inspection and servicing charges, there is the additional expense of gaining access to tenants' properties, in selected cases necessitating the services of locksmiths and even the police where tenants refuse access.

NEW

DYNAMIC INTELIRAD✓

The Smart Radiator



 **HEATSTORE**

NEED TO CONTACT HEATSTORE?

TEL: 0117 923 5375

ADDRESS: Victoria Road, Avonmouth
Bristol BS11 9DB

EMAIL: enquiries@heatstore.co.uk

WEB: www.heatstore.co.uk

Heatstore reserve the right to alter specifications without notice. All specification and performance data is correct at the time of printing. Issue 1, 06.16

*Time savings calculations based on average UK temperature www.metoffice.gov.uk