

Oil filled Electric Towel Rails

08/18755/5 Issue 5

Models : HSTR 90C, HSTR120W, HSTR130C, & HSTR175W

Dimensions

(millimetres)

Model	Watts	A	B	C	D
HSTR90C	60	615	530	195	295
HSTR120W	120	615	530	195	295
HSTR130C	90	850	530	180	290
HSTR175W	175	850	530	180	290

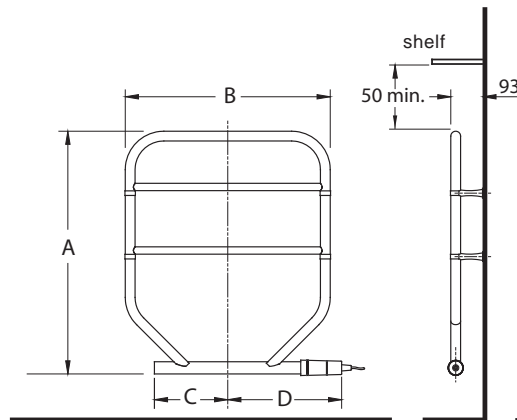


Fig. 1

IMPORTANT: THESE INSTRUCTIONS SHOULD BE READ CAREFULLY AND RETAINED FOR FUTURE REFERENCE

Important Safety advice

WARNING - THE SURFACE OF THIS RADIATOR CAN BE HOT.
In order to be effective the towel rail will get hot, however momentary contact with any part of it should not cause injury.

DO NOT USE THIS APPLIANCE UNTIL THE WALL BRACKETS ARE FITTED CORRECTLY.

FOLLOW these instructions carefully.

CAUTION - This appliance is not intended for use by children or other persons without assistance or supervision if their physical, sensory or mental capabilities prevent them from using it safely. Children should be supervised to ensure that they do not play with the appliance.

Precautions should be taken to ensure that prolonged contact with the towel rail cannot occur. Particular care should be taken in confined areas where accidental prolonged contact with the rail could be more likely to occur.

IMPORTANT - If the towel rail is to be installed in a place used by the public, a warning notice should be placed adjacent to the rail advising that the surface can be hot.

WARNING - This appliance must not be located immediately above or below a fixed socket outlet or connection box.

This appliance should only be used to dry fabrics washed in water using commonly available detergents.

If the mains lead is damaged, it must be replaced by the manufacturer or its service agents or a similarly qualified person in order to avoid a hazard

WARNING - In order to avoid a hazard for very young children, this appliance should be installed so that the lowest heated rail is at least 600mm above the floor.

General

Your Heatstore permanently oil-filled electric towel rail has been designed to provide an all-the-year-round service for airing towels and articles of clothing. It is not intended to provide a sole heating service, but the larger models will take the chill off a normal size bathroom or toilet.

All models are splash proof.

Use

Your Heatstore oil-filled electric towel rail can quite safely be left on continuously if desired without detrimental effect. When in use however no more than two layers of towelling or similar fabric should be draped over each rail. It is not advisable to leave very damp clothes or towels on the rail when it is not in use, as this may affect the finish.

The rail when in use, though hot to the touch, is not hot enough to scorch or burn towels or clothes. However, soap and detergents remaining in articles after washing can cause what appear to be scorch marks after being in contact with a hot rail. Care should be taken therefore to thoroughly rinse out all articles before airing.

Electrical

The electrical installation of this towel rail must be carried out by a competent electrician in accordance with the current I.E.E Regulations for Electrical Equipment. The towel rail is suitable for use on an A.C.~ electrical supply. Before installation check that the supply voltage corresponds with that marked on the rail.

WARNING - THIS APPLIANCE MUST BE EARTHED.

IMPORTANT - The wires in the mains lead are coloured in accordance with the following code:

GREEN and YELLOW - EARTH
BLUE - NEUTRAL
BROWN - LIVE

As the colours of the wires in the mains lead of this appliance may not correspond with the coloured markings identifying the terminals in your plug, proceed as follows:

The wire which is coloured GREEN and YELLOW must be connected to the terminal in the plug which is marked with the letter **E** or by the earth symbol \oplus or coloured green or green and yellow.

The wire which is coloured BLUE must be connected to the terminal which is marked with the letter **N** or coloured black.

The wire which is coloured BROWN must be connected to the terminal which is marked with the letter **L** or coloured red.

This appliance must only be used on A.C. mains supply of 230/240 Volts~.

If fitted in a room containing a bath or shower, to comply with the current I.E.E. Regulations, a cable outlet will be necessary with the supply to the heater controlled by a double-pole pull-cord switch having a contact separation of 3mm in each pole. The body of the switch should be situated as to be normally inaccessible to a person using a bath or shower.

Installation

The towel rail must be permanently fitted to the wall.

All models are supplied with wall brackets. The towel rail must be mounted so that the top rail is horizontal and at least 50mm below any overhanging surface - see Fig. 1.

Wall mounting

The Wall mounting accessory pack contains:

- (a) 4 mounting straps
- (b) 4 screws (M4 x 10)
- (c) 4 wall mounting brackets
- (d) 4 locator pins

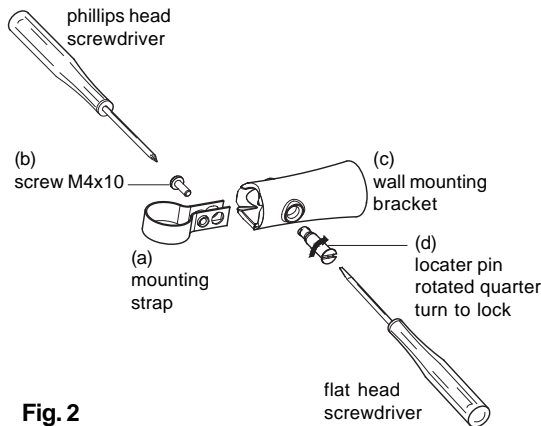


Fig. 2

Procedure for fixing Wall Brackets

Step 1

Using Dim. X and Dim. Y as a guide, mark the hole positions for the four fixing brackets and drill and plug the wall to suit.

Note: Allow enough room above and below for the clearance stated. Screw the four fixing brackets securely to the wall - see Fig. 3.

Wall bracket Fixing Dimensions

Model(s)	Dim. X	Dim. Y
HSTR90C	505	165
HSTR120W	505	165
HSTR130C	505	230
HSTR175W	505	230

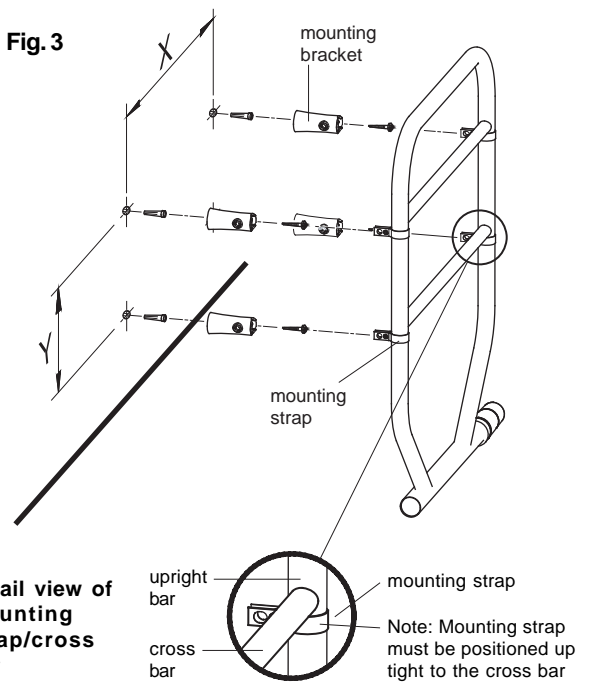
Step 2

Place carefully around the upright bars the 4 mounting straps at the position shown - see Fig. 3. (Note the straps must be positioned up tight to the cross bar as indicated) Securely fix them by screwing in place fully the M4 x 10mm screw. Ensure the brackets are fitted with the rear of the straps facing directly backwards.

Step 3

Place the towel rail straps into the wall mounted brackets, secure them with the locator pins by inserting it and giving it a quarter turn - see Fig. 3. Check the four brackets and towel rail are fitting horizontal. If not go back to step 2. The straps can be repositioned to ensure that the towel rail is horizontal when fitted to your wall. If the towel rail cross rails are not level, loosen both straps on either left or right hand upright bar. Lower the two straps and raise up the towel rail until it is horizontal, then secure as indicated in step 2 and 3.

Fig. 3



Detail view of mounting strap/cross bar

Note: Mounting strap must be positioned up tight to the cross bar

Cleaning

The finish on your towel rail can be maintained by occasionally wiping over with a damp cloth and lightly finishing with a soft dry cloth. This should only be carried out when the rail is cold. **Do not** use abrasive cleaning powders as this could damage the surface finish.

Recycling

For electrical products sold within the European Community.



At the end of the electrical products useful life it should not be disposed of with household waste. Please recycle where facilities exist. Check with your Local Authority or retailer for recycling advice in your country.

After Sales Service

Your product is guaranteed for two years from the date of purchase. Within this period, we undertake to repair or exchange this product free of charge (excluding lamps & subject to availability) provided it has been installed and operated in accordance with these instructions. Your rights under this guarantee are additional to your statutory rights, which in turn are not affected by this guarantee. Should you require after sales service, please get in touch with the supplier through whom you purchased the appliance. It would assist us if you can quote the model number, series, date of purchase and nature of the fault at the time of your call. Please do not return a faulty product to us in the first instance as this may result in loss or damage and delay in providing you with a satisfactory service.

Please retain your receipt as proof of purchase.



The product complies with the European Safety Standards EN60335-2-46 and the European Standard Electromagnetic Compatibility (EMC) EN55014, EN60555-2 and EN60555-3 These cover the essential requirements of EEC Directives 2006/95/EC and 2004/108/EC

HEATSTORE

IPX4



Heatstore
Victoria Road,
Avonmouth
BS11 9DB
Tel: (0117) 923 5375 Fax: 0117 923 5374