

# Sunking 1.5kW Outdoor Infra-Red Heater

SKI500

Instruction Manual

Version 1.0 october 2014

PLEASE READ THESE INSTRUCTIONS BEFORE COMMENCING INSTALLATION. UPON COMPLETION OF INSTALLATION ENSURE THE INSTRUCTIONS ARE LEFT WITH THE USER/MAINTAINER OF THE PRODUCT.

## **Sunking 1.5kW Outdoor Infra-Red Heater**

### **SK I500**

#### **I. INTRODUCTION**

The Sun King weatherproof outdoor heater is ideal for domestic and commercial outdoor heating applications. It contains quartz halogen infra-red lamps that operate at a very high temperature and is suitable for patios, beer gardens and outdoor smoking areas.

## 2. IMPORTANT SAFETY POINTS



**DO NOT** PROCEED WITH INSTALLATION IF THERE IS ANY SIGN OF DAMAGE OR DEFECT TO THE PRODUCT.



THE PRODUCT SHOULD ONLY BE CONNECTED TO A SUPPLY THAT MEETS THE SPECIFICATIONS DETAILED ON THE RATING LABEL.



ELECTRICAL INSTALLATION SHOULD BE CARRIED OUT BY A QUALIFIED ELECTRICIAN IN ACCORDANCE WITH THE LATEST EDITION OF THE IEE WIRING REGULATIONS.



THE APPLIANCE IS NOT INTENDED FOR USE BY PERSONS (INCLUDING CHILDREN) WITH REDUCED PHYSICAL, SENSORY OR MENTAL CAPABILITIES, OR LACK OF EXPERIENCE AND KNOWLEDGE, UNLESS THEY HAVE BEEN GIVEN SUPERVISION OR INSTRUCTION CONCERNING THE SAFE USE OF THE APPLIANCE BY A PERSON RESPONSIBLE FOR THEIR SAFETY.



CHILDREN SHOULD BE SUPERVISED TO ENSURE THEY DO NOT PLAY WITH THE APPLIANCE.



**WARNING - THE APPLIANCE MUST EARTHED.**



**DO** ENSURE THE POWER CORD IS NOT IN CONTACT WITH THE BODY OF THE HEATER AFTER INSTALLATION.



**DO** ENSURE THE MINIMUM MOUNTING GUIDELINES ARE FOLLOWED.



**DO NOT** ATTEMPT TO MAKE CONTACT WITH THE LAMP WHEN IN USE.



**DO NOT** USE IF THE GUARD IS MISSING OR DAMAGED.



**DO NOT** ATTEMPT TO INSERT OBJECTS THROUGH THE GUARD.



**DO NOT** LOCATE THE HEATER IMMEDIATELY BELOW A SOCKET.



**DO** ENSURE THAT ANY COMBUSTIBLE MATERIALS SUCH AS; CURTAINS, PAPER, CLOTHING FURNITURE ETC. ARE KEPT AWAY AT A MINIMUM DISTANCE OF 1.8M FROM ALL SURFACES OF THE HEATER.



**DO NOT** INSTALL THE HEATER IN EXPLOSIVE OR COMBUSTIBLE ENVIRONMENTS.

### 3. INSTALLATION



ENSURE THE MINIMUM DISTANCES ARE FOLLOWED.



ENSURE THERE ARE NO COMBUSTIBLE MATERIALS SUCH AS; CURTAINS, PAPER, CLOTHING FURNITURE ETC. WITHIN A MINIMUM DISTANCE OF 1.8M FROM ALL SURFACES OF THE HEATER.

- Select a suitable surface that will support the product and accept the wall plugs safely.
- Ensure the minimum distance from the floor is 2.0 metres and from the side wall is 1.5 metres (see diagram 1).
- Using the bracket supplied and ensuring a horizontal level, mark three holes onto the mounting surface. Insert the three wall plugs and attach the bracket to the wall.
- Offer up the heater to the bracket and line up the three holes on the bracket to those on the heater. Secure the two pieces together using the fittings supplied.
- The angle of the heater should be adjusted by loosening the hinged part of the bracket, selecting the angle and then tightening the hinge once again. Ensure the angle is a minimum of  $30^{\circ}$  from vertical and no greater than  $90^{\circ}$  (See diagram 2).



NEVER ATTEMPT TO ADJUST THE MOUNTING POSITION WHILE THE UNIT IS TURNED ON AND AFTER TURNING OFF THE POWER ENSURE IT HAS FULLY COOLED BEFORE TOUCHING IT.

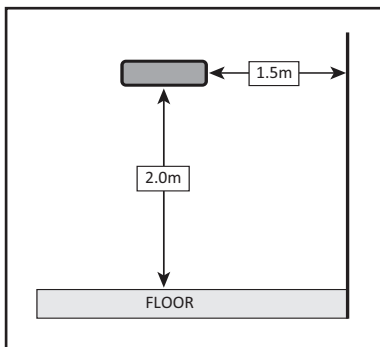


Diagram 1

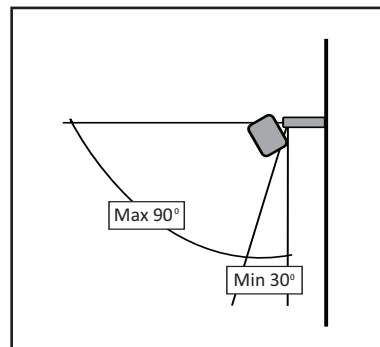
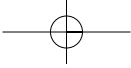


Diagram 2

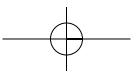
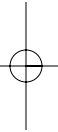
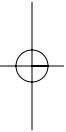


#### 4. ELECTRICAL CONNECTION




THE SUN KING OUTDOOR HEATER IS SUPPLIED WITH 1.8M OF HEAT RESISTANT CORD AND A MOULDED 13AMP BS PLUG. IT IS HIGHLY RECOMMENDED THAT IF IT IS CONNECTED TO A SOCKET OUTSIDE IT SHOULD BE A WATERPROOF TYPE SOCKET.


- The use of an RCD breaker when installing this product is recommended where applicable.
- The steady state current of the heater is 6.5A but an inrush current of many times this will be encountered at first switch on, for this reason a MCB type 3 is strongly recommended.






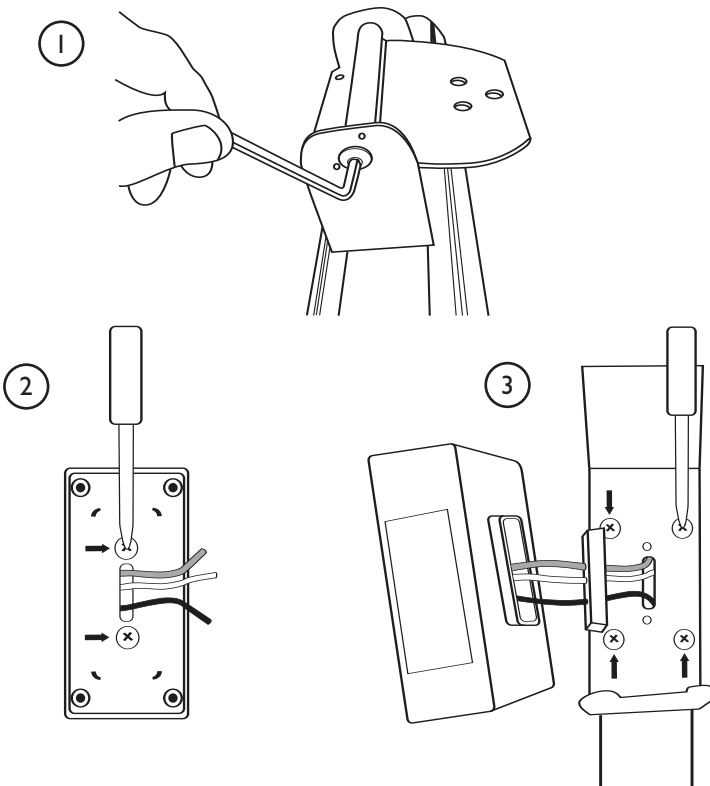
## 5. CLEANING AND MAINTENANCE

### Replacing the lamp

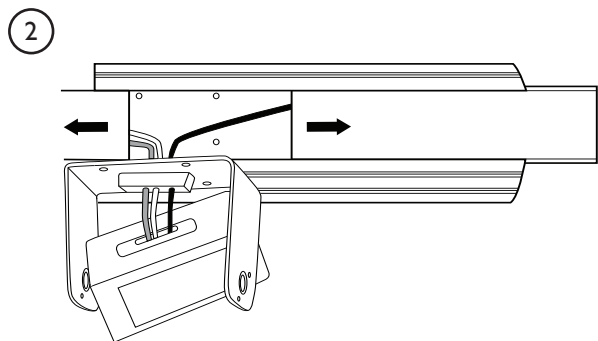
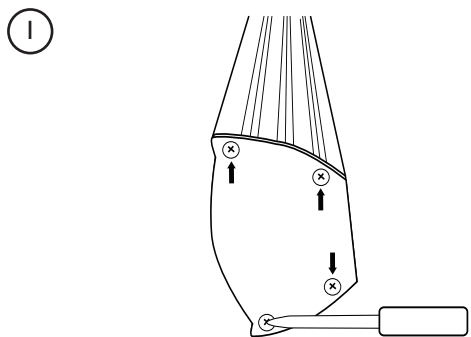
 WHEN REPLACING THE LAMP, THE UNIT SHOULD BE SAFELY DISCONNECTED FROM THE ELECTRICAL SUPPLY AND REMOVED FROM THE WALL SO IT CAN BE PERFORMED ON SAFE FLAT SURFACE. ALWAYS ENSURE THE HEATER HAS FULLY COOLED BEFORE HANDLING IT.

 NEVER HANDLE THE GLASS PART OF LAMP WITH YOUR BARE HANDS, FINGERPRINTS WILL CAUSE THE LAMP TO BURN AT THIS POINT AND SERIOUSLY IMPAIR THE LIFESPAN. TO REMOVE MARKS, USE A SOFT CLOTH AND METHYLATED SPIRITS OR ALCOHOL.

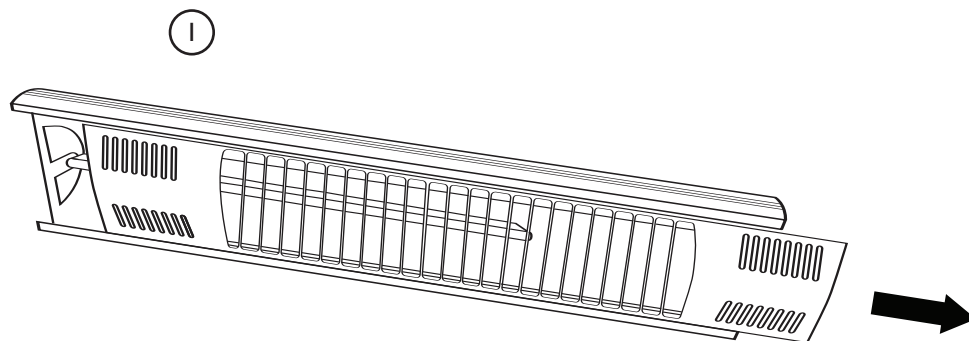
- With the unit on a safe flat surface, proceed to remove the two part hinged bracket  and wiring box  from the main body of the unit. 



- Remove both side panels from the unit ① and slide both back panels away and out from the main chassis ②.

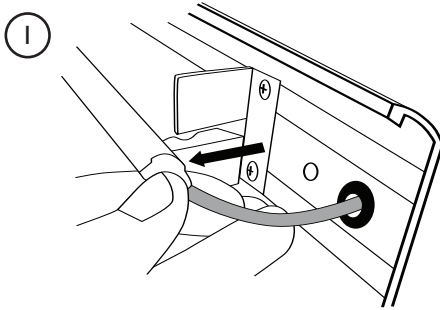


- Remove the live and neutral lamp connections from the terminal block located inside the wiring box.
- Remove the front guard by gently sliding out from either end of the heater. ①





- Remove the lamp from the heater by lifting it out of its holders and clear of the heater. Feed the lamp cables out of the holes to complete the lamp removal. ①



- Take the new lamp and reverse all the steps to replace. If you experience difficulty please consult a professional, or call the number on the rating label for further advice.

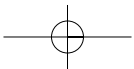
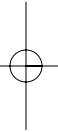
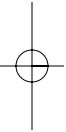
## 6. TECHNICAL SPECIFICATION

<b>Sunking 1.5kW</b>	
Voltage	230v ~ 50Hz
Power	1500W
Current	6.5A
Weight	1.0kg
Ingress protection	24
Dimensions	455W x 100H x 125Dmm



## 7. Guarantee and service policy

This product is guaranteed against faulty materials and manufacture for a period of one year from the date of purchase. Hycy will in its sole discretion replace, repair or refund any faulty unit. Incorrect installation and frost damage are excluded. Consequential costs such as labour charges or damage to fittings and surroundings are expressly excluded.





INFORMATION FOR CORRECT DISPOSAL OF THE PRODUCT IN ACCORDANCE WITH THE EUROPEAN DIRECTIVE 2002/96/E.

At the end of its working life this equipment must not be disposed of as household waste. It must be taken to a local authority waste collection centre or to a dealer providing this service. Disposing of electrical and electronic equipment separately enables its components to be recovered and recycled to obtain significant savings in energy and resources. In order to underline the duty to dispose of this equipment separately, the product is marked with a crossed out dustbin.



**Hycos Manufacturing Ltd**  
Normandy Court, Express Way  
Castleford, WF10 5NR

Sales: 01924 225 200  
Fax: 01924 225 210  
Switchboard: 01924 225 215

Email: [sales@hyco.co.uk](mailto:sales@hyco.co.uk)  
[www.hyco.co.uk](http://www.hyco.co.uk)

■ WATER HEATING    ■ SPACE HEATING    ■ HAND DRYERS