

LED.Effect 1.5W LED

1.5W GU10 and G5.3 LED Lamp



Product Overview

Kosnic's LED Effect range offers lamps that will enhance special events and everyday living. Both practical and exciting, lamps from the LED Effect range also have the advantage of very low power consumption and a long life compared to traditional incandescent lamps.

Features

- Save energy up to 80% compared with filament lamp.
- Long life of 30,000h.
- G5.3 requires a 12Vdc constant voltage supply.
- Instant start.
- Negligible UV output.
- Mercury free.

Safety and Maintenance

- Switch off supply before installing or removing lamp. Allow to cool before handling.
- Do not use in totally enclosed fittings as this will reduce lamp life.
- Do not dispose of in household waste.
- Dispose of in appropriate section of local civic amenity site or recycling centre.

Specifications

| Product Code | KLED1.5HIO/G5.3-White | KLED1.5HIO/GU10-White |
|--|-----------------------|-----------------------|
| Lamp Cap | G5.3 | GU10 |
| Nominal Power (W) | 1.5 | 1.5 |
| Voltage | 12Vdc | 220-240Vac 50-60Hz |
| Current (mA) | 125 | 25 |
| Nominal Luminous Flux (lm) | 35 | 35 |
| Total Luminous Flux (lm) | 50 | 50 |
| CCT (K) | 5000K White | 5000K White |
| Nominal Lifetime (h) | 30000 | 30000 |
| Beam Angle (°) | 17 | 17 |
| Dimmable | No | No |
| Switching Cycles | 50000 | 50000 |
| Warm-up time to 60% (S) | Instant full light | Instant full light |
| Suitable for accent lighting | Yes | Yes |
| Length (mm) | 50.0 | 55.0 |
| Diameter (mm) | 50.0 | 50.0 |
| Mercury (mg) | 0 | 0 |
| Clean-up instructions | N/A | N/A |
| Retrofit | Yes | Yes |
| Rated Power (W) | 1.5 | 1.5 |
| Rated Luminous Flux (lm) | 35 | 35 |
| Rated Lifetime (h) | 30000 | 30000 |
| Power Factor | 1.00 | 0.26 |
| Rated Peak Candelas (cd) | 210 | 210 |
| Lumen Maintenance Factor at Nominal Lifetime | 0.75 | 0.75 |
| CRI | 71 | 71 |
| Start Time (s) | 0.45 | 0.45 |
| Ambient Temperature Range (°C) | -20 to 40 | -20 to 40 |

Notes: The Useful Luminous Flux quoted is for the output within a 90° cone as per the EU implementing directive on ecodesign requirements for directional lamps.

Energy Label

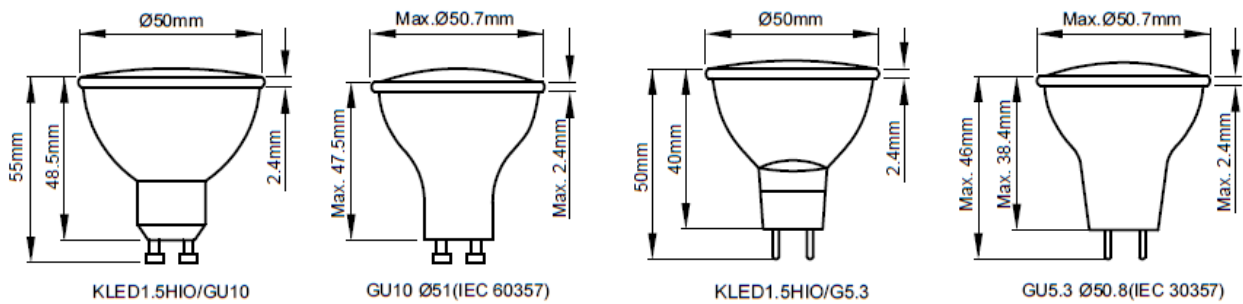
| Manufacturer | Kosnic | Kosnic |
|--------------------------------|-----------------------|-----------------------|
| Product Code | KLED1.5HIO/G5.3-White | KLED1.5HIO/GU10-White |
| Energy Class | A | A |
| Energy Consumption (kWh/1000h) | 1.65 (2) | 1.50 (2) |

Notes: The kWh/1000h value published on the energy label is required to be rounded up to an integer according to the EU implementing directive on Energy Labelling. The value to 2 decimal places is given for reference.

Product Markings

| | | |
|-------------------|-----------------------|-----------------------|
| Manufacturer | Kosnic | Kosnic |
| Product Code | KLED1.5HIO/G5.3-White | KLED1.5HIO/GU10-White |
| Voltage | 12Vdc | 220-240Vac 50-60Hz |
| Nominal Power (W) | 1.5 | 1.5 |
| Current (mA) | 125 | 25 |
| CE Mark | 35 | 35 |
| WEEE Mark | 5000 | 5000 |
| Batch Code | 17 | 17 |

Dimensions



Photometric Information

5000K

