

# KTC LED.PowerSpot 6W LED

## 6W GU10 PAR16 Lamp



Spot



Flood

### Product Overview

Suitable for the most demanding of professional users, Kosnic's KTC-PRO range offers lamps that deliver huge energy savings over halogen lamps without compromising on brightness. The lamps can quickly replace halogen products in accent and general lighting applications, and once in place rapid payback is achieved.

### Features

- Save energy up to 85% compared with halogen lamp.
- Direct replacement of GU10 halogen lamp.
- High lumen output.
- Long life of 35,000h.
- Instant start.
- Negligible UV output.
- Mercury free.

### Safety and Maintenance

- Switch off supply before installing or removing lamp. Allow to cool before handling.
- Do not use in totally enclosed fittings as this will reduce lamp life.
- Do not dispose of in household waste.
- Dispose of in appropriate section of local civic amenity site or recycling centre.

**Specifications - Spot**

Product Code	KTC06PWR/GU10-S30	KTC06PWR/GU10-S40	KTC06PWR/GU10-S65
Lamp Cap	GU10	GU10	GU10
Lamp Shape	PAR16	PAR16	PAR16
Nominal Power (W)	6	6	6
Voltage	220-240Vac 50-60Hz	220-240Vac 50-60Hz	220-240Vac 50-60Hz
Current (mA)	49	49	49
Nominal Useful Luminous Flux (lm)	250	260	270
Total Luminous Flux (lm)	310	320	330
CCT (K)	3000K Warm White	4000K Cool White	6500K Day Light
Nominal Lifetime (h)	35000	35000	35000
Beam Angle (°)	45	45	45
Dimmable	No	No	No
Switching Cycles	50000	50000	50000
Warm-up time to 60% (S)	Instant full light	Instant full light	Instant full light
Suitable for Accent Lighting	Yes	Yes	Yes
Length (mm)	52.5	52.5	52.5
Diameter (mm)	50	50	50
Mercury (mg)	0	0	0
Clean-up instructions	N/A	N/A	N/A
Retrofit	Yes	Yes	Yes
Equivalent Wattage (W)	38	40	41
Rated Power (W)	6.0	6.0	6.0
Rated Useful Luminous Flux (lm)	250	260	270
Rated Lifetime (h)	35000	35000	35000
Power Factor	0.53	0.53	0.53
Rated Peak Candelas (cd)	310	320	340
Lumen Maintenance Factor at Nominal Lifetime	0.75	0.75	0.75
SDCM of CCT	<6	<6	<6
CRI	81	83	85
Start Time (s)	0.42	0.42	0.42
Ambient Temperature Range (°C)	-20 to 40	-20 to 40	-20 to 40

Notes: The Useful Luminous Flux quoted is for the output within a 90° cone as per the EU implementing directive on ecodesign requirements for directional lamps.

**Specifications - Flood**

Product Code	KTC06PWR/GU10-F30	KTC06PWR/GU10-F40	KTC06PWR/GU10-F65
Lamp Cap	GU10	GU10	GU10
Lamp Shape	PAR16	PAR16	PAR16
Nominal Power (W)	6	6	6
Voltage	220-240Vac 50-60Hz	220-240Vac 50-60Hz	220-240Vac 50-60Hz
Current (mA)	49	49	49
Nominal Useful Luminous Flux (lm)	220	230	250
Total Luminous Flux (lm)	300	310	320
CCT (K)	3000K Warm White	4000K Cool White	6500K Day Light
Nominal Lifetime (h)	35000	35000	35000
Beam Angle (°)	60	60	60

Dimmable	No	No	No
Switching Cycles	50000	50000	50000
Warm-up time to 60% (S)	Instant full light	Instant full light	Instant full light
Suitable for Accent Lighting	Yes	Yes	Yes
Length (mm)	52.5	52.5	52.5
Diameter (mm)	50	50	50
Mercury (mg)	0	0	0
Clean-up instructions	N/A	N/A	N/A
Retrofit	Yes	Yes	Yes
Equivalent Wattage (W)	34	36	38
Rated Power (W)	6.0	6.0	6.0
Rated Useful Luminous Flux (lm)	220	230	250
Rated Lifetime (h)	35000	35000	35000
Power Factor	0.53	0.53	0.53
Rated Peak Candelas (cd)	270	280	300
Lumen Maintenance Factor at Nominal Lifetime	0.75	0.75	0.75
SDCM of CCT	<6	<6	<6
CRI	82	82	82
Start Time (s)	0.42	0.42	0.42
Ambient Temperature Range (°C)	-20 to 40	-20 to 40	-20 to 40

Notes: The Useful Luminous Flux quoted is for the output within a 90° cone as per the EU implementing directive on ecodesign requirements for directional lamps.

## Energy Label - Spot

Manufacturer	Kosnic	Kosnic	Kosnic
Product Code	KTC06PWR/GU10-S30	KTC06PWR/GU10-S40	KTC06PWR/GU10-S65
Energy Class	A	A	A
Energy Consumption (kWh/1000h)	6.0	6.0	6.0

## Energy Label - Flood

Manufacturer	Kosnic	Kosnic	Kosnic
Product Code	KTC06PWR/GU10-F30	KTC06PWR/GU10-F40	KTC06PWR/GU10-F65
Energy Class	A	A	A
Energy Consumption (kWh/1000h)	6.0	6.0	6.0

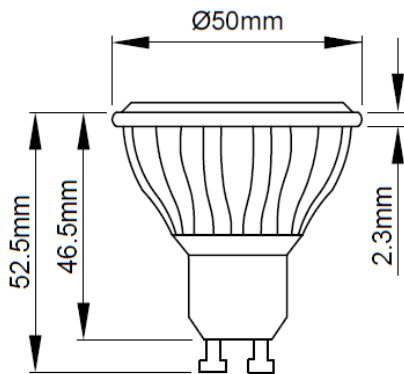
## Product Markings - Spot

Manufacturer	Kosnic	Kosnic	Kosnic
Product Code	KTC06PWR/GU10-S30	KTC06PWR/GU10-S40	KTC06PWR/GU10-S65
Volts (V)	220-240Vac 50-60Hz	220-240Vac 50-60Hz	220-240Vac 50-60Hz
Nominal Watts (W)	6	6	6
Current (mA)	49	49	49
Nominal Useful Luminous Flux (lm)	250	260	270
CCT (K)	3000	4000	6500
Beam Angle (°)	45	45	45
CE Mark	Yes	Yes	Yes
WEEE Mark	Yes	Yes	Yes
Batch Code	Yes	Yes	Yes

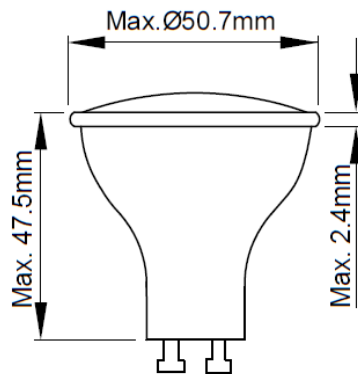
### Product Markings - Flood

Manufacturer	Kosnic	Kosnic	Kosnic
Product Code	KTC06PWR/GU10-F30	KTC06PWR/GU10-F40	KTC06PWR/GU10-F65
Volts (V)	220-240Vac 50-60Hz	220-240Vac 50-60Hz	220-240Vac 50-60Hz
Nominal Watts (W)	6	6	6
Current (mA)	49	49	49
Nominal Useful Luminous Flux (lm)	220	230	250
CCT (K)	3000	4000	6500
Beam Angle (°)	60	60	60
CE Mark	Yes	Yes	Yes
WEEE Mark	Yes	Yes	Yes
Batch Code	Yes	Yes	Yes

### Dimensions

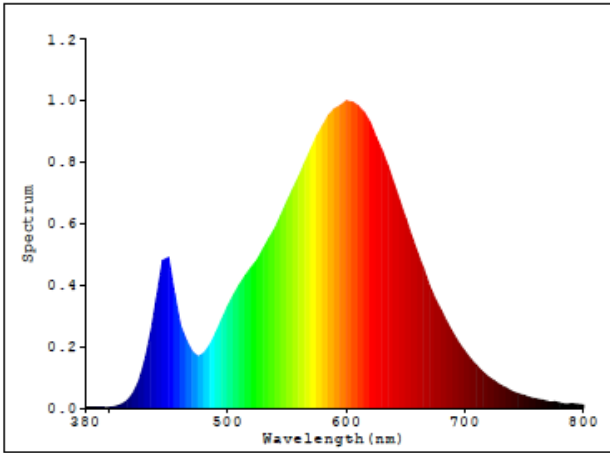


KTC06PWR/GU10

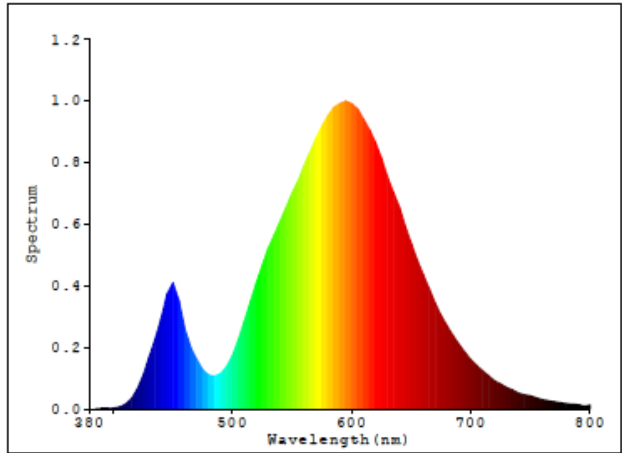


GU10 Ø51 (IEC 30357)

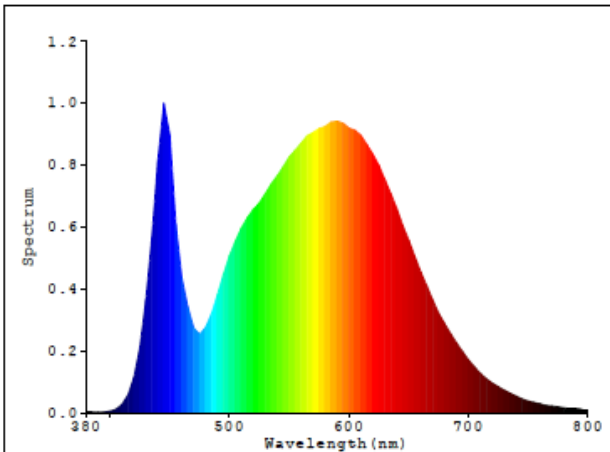
### 3000K Spot



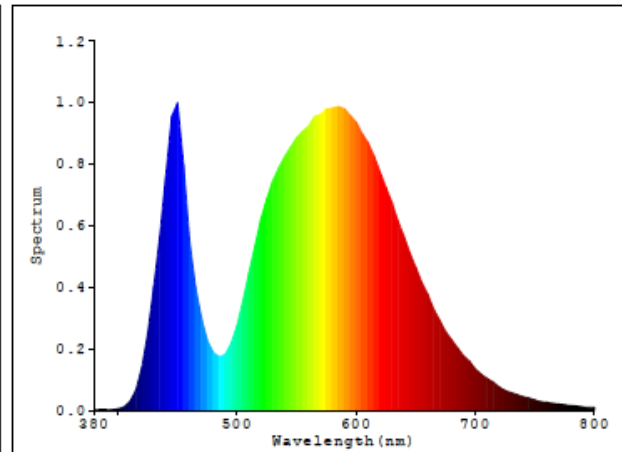
### 3000K Flood



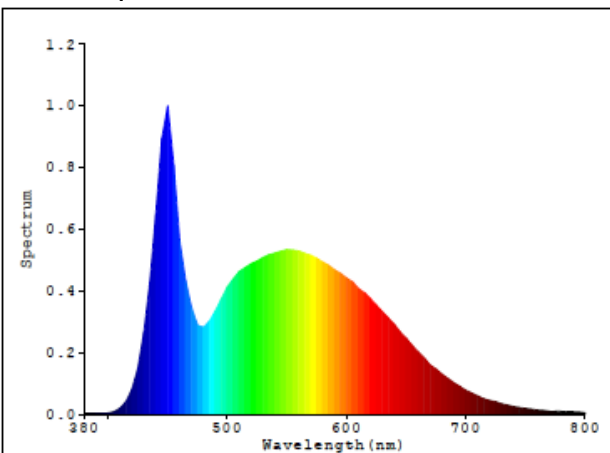
### 4000K Spot



### 4000K Flood



### 6500K Spot



### 6500K Flood

