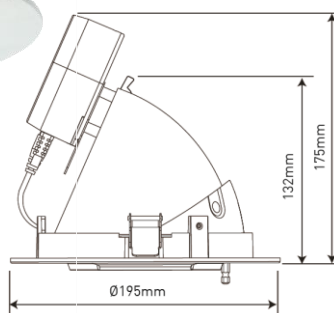


## DISPLAY & LED STRIPS

### WILSON –38W LED SWIVEL & SCOOP WALL WASHER



<b>Code</b>	<b>R38LEDCW-01</b>
<b>Comparable to:</b>	50W Metal Halide
<b>Light output L<sub>100</sub> (lm):</b>	2850
<b>Lux @ 1m (lx):</b>	2100
<b>Beam Angle (deg):</b>	68
<b>Colour Temp L<sub>100</sub> (k):</b>	4,000
<b>CRI L<sub>100</sub> (Ra):</b>	85
<b>Power Consumed (W):</b>	<38
<b>Efficacy (lm/cctW):</b>	75
<b>Power Factor:</b>	0.95
<b>Average LED Life L<sub>70</sub>F<sub>10</sub> (hrs):</b>	50,000
<b>Tilt/Swivel (Deg):</b>	70/350
<b>Cut-out (mm):</b>	170
<b>IP:</b>	20
<b>Box Qty:</b>	1
<b>Weight (Kg):</b>	1.5
<b>Guarantee (Yrs):</b>	3

This high quality powerful recessed swivel & scoop wall washer downlight takes LED replacement of traditional metal halide to the next level. Providing superb output and clarity of light combined with substantial savings in both energy and maintenance costs this fitting will help reduce the carbon emissions created by the use of traditional light sources in many types of installation.

This great fitting can equally be used for downlighting, wall wash or display applications in:

- Bars & Clubs
- Museums
- Temporary exhibition stands
- Retail shops
- Stage lighting
- Exhibition centres
- Architectural features
- Showrooms

FEATURES	BENEFITS
• Utilises high quality Samsung SMD LED's to provide in excess of 2850 lumens	• Provides light output comparable to approximately 50W of metal halide
• Total power consumption of <38W	• Energy savings of over ≈30% for comparable light output of metal halide
• Efficacy (including driver) of 75 lm/cctW	• Substantially exceeds current and foreseeable Building Regulation requirements for installation in entertainment, retail or commercial buildings
• Beam angle of 68 degrees	• Ideal for downlighting, wall washing and display lighting
• Colour temperature of 4000k & CRI of >85	• Provides cool clear light source to reproduce the true colour of displays
• No Infra-red or Ultra Violet emitted in light beam	• Will not fade or discolour heat or UV sensitive displays
• Excellent thermal management design ensures the LED's operate within heat tolerances to provide 50,000 hours average LED life compared to ≈8,000 hours metal halide	• No lamp changes over its life - no maintenance cost or annoying dark areas where lamps have failed
• Zero warm up time	• Substantially reduces colour shift and light output attenuation of metal halide
• Solid state technology	• Lasts up to 5 times longer than metal halide
• Suitable for emergency conversion	• Instant on to full brightness
• Provides >3 hours back up at >447 lumens (16%)	• Can be PIR controlled without detriment to life
• Tiltable up to 70 degrees	• Rugged with no filament to break through knocks or vibration causing premature lamp failure
• Frosted lens	• No dedicated emergency fittings required as you do with traditional metal halide
• Contains no mercury or other heavy metals	• Enhances the lighting design looks
	• Allows the light to be directed where required and can be repositioned when displays are moved
	• Reduces glare for eye comfort
	• Environmentally friendly and simpler to dispose of at end of life

PLEASE NOTE – INFORMATION CONTAINED IN THIS DOCUMENT IS SUBJECT TO CHANGE WITHOUT PRIOR NOTICE