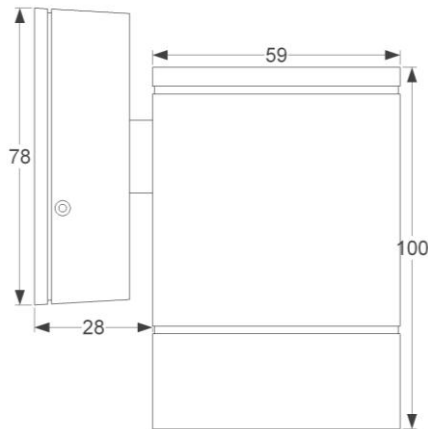


Data Specification Sheet



WALL1L GU10 Wall Mounted Fitting

Code	WALL1L
Description	GU10 Wall mounted IP65 Fitting
Finishes available	Stainless Steel
Overall dimensions (mm)	See Above
Product Weight	510 grams
Recommended product location	Indoor or Outdoor (Not recommended for food preparation areas)
Lamp Supplied	No
Voltage (V)	230V 50Hz
Maximum Lamp Wattage (W)	35Watts
Class	Class I. Must be Earthed
IP	IP65
Distance from lighted object	0.3M
Photometric Testing	Not available
Instruction sheet	Yes
Origin of manufacture	China
Main materials:	
• Body & Base	Stainless Steel
• Glass	Tempered Glass, Temperature Rated To 300°C.
• Reflector	N/A
Method of fix	Wall mounting base plate 2 x screw 40mm centres
Lampholder cap	GU10
Lamp type and base	GU10 35watt Max – GU10 LED
Electrical Connections	10A L.E.N. Nylon Connector, Screw Terminals
Cable rating (mm SQ /C.S.A.) & type	N/a
CE mark	Yes
Quality Assurance System	Yes ISO 9001 QMS
Batch coding details on product	Yes
Certificate of Conformity (Held on File)	Yes
Manufactured in accordance to:	EN60 598-2-5
Warranty	1 year