

WALLPOD:EV

HOMESMART EV

Type 2, Mode 3 Charging Socket
3.6kW or 7.2kW



ROLEC

EV Charging

MANUFACTURED IN THE UK



In partnership with

ev. energy



Unit shown: WALLPOD:EV
HOMESMART EV
Type 2, Mode 3 Charging Socket

The WallPod:EV HOMESMART is a smart charging unit which has been designed to provide the user with a simple, mobile phone interactive EV charging solution for the home.

The EV driver can control the charging activity of their WallPod:EV HOMESMART unit using their mobile phone, as well as allowing them to monitor/record all their charging activity, data and history.

Available with a Type 2, Mode 3 charging socket offering either 3.6kW (16A) or 7.2kW (32A) charging speeds.

PRODUCT FEATURES

- Smart charging (see smart features)
- Mode 3 (IEC 61851-1) fast charging
- Type 2 (IEC 62196) charging socket
- 3.6kW (16A) & 7.2kW (32A) charging speeds
- Supplied with external overload & fault current protection (Type A RCBO)
- Built-in DC sensitive protective device
- Built-in LED charging status indicator
- Built-in Class 1 MID compliant kWh meter
- Built-in Modem and roaming sim
- Built-in GPRS communication antenna
- OZEV Grant Fundable under the Electric Vehicle Homecharge Scheme
- IP Rated and UV Stabilised
- Corrosion resistant, fire retardant & impact resistant design
- Easy to install and maintain

SMART FEATURES

- 📶 Live Charging Activity
 - Charging status
 - Stop / start charging
 - Smart & boost charging
 - Charging notifications
- 📊 Charging History
 - Total energy used
 - Historical data
 - CO₂ savings
- ⚙️ Advanced Settings
 - Tariff optimisation
 - Green charging
 - Grid services
 - Fleet management



📄 See the HOMESMART EV Overview for details



Grant Fundable



GPRS Connectivity



Mobile App Controlled SMART Charging



Colour Options Available




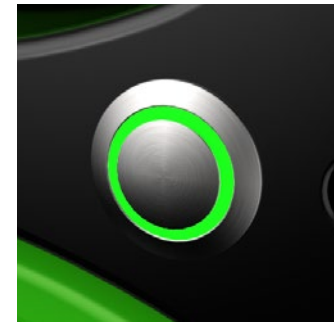
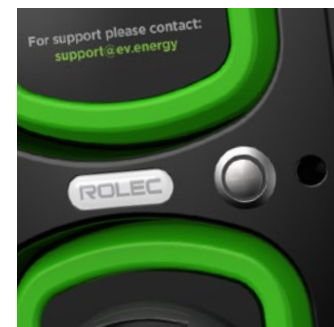
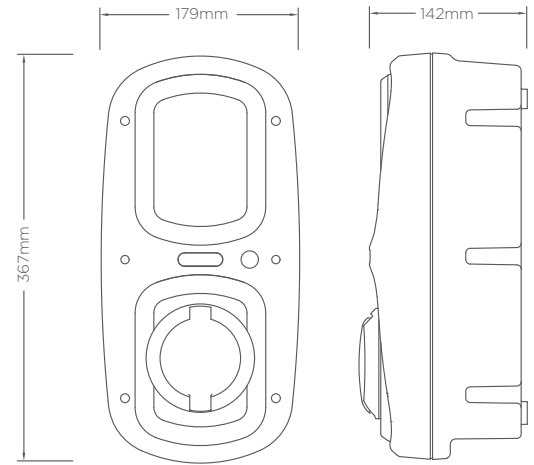
Safety In The Home Certified



IP Rated & UV Stabilised

SPECIFICATIONS

Product Code	EVHS2010	EVHS2020
Charging Socket	Type 2 (IEC 62196) 	
Rated Output	3.6kW	7.2kW
Rated Current	16A	32A
Charge Protocol	Mode 3	
Input Voltage	230V AC/50Hz (Single Phase)	
Overload & Fault Current Protection	External 20A, 30mA Type A RCBO & Built-in 6mA DC Sensitive Device	External 40A, 30mA Type A RCBO & Built-in 6mA DC Sensitive Device
Cable Terminals	3x 16mm	
Communications	GPRS (Recommended signal strength of 14 CSQ or above)	
Standby Consumption	Approx 0.05kWh per day	
Certifications & Compliances	EV Charging Compliance – EN 61851-1:2001, EN 61851-21:2002, EN 61851-22:2002	
	Wiring Regulations – BS 7671	
CE	EMC Compliance – EN 61000-6-3:2007, EN 61000-6-2:2005	
	Safety Compliance (LVD) – 2014/35/EU, EN 62368-1:2014	
CE	Environmental Protection – Enclosure IP65, Socket IP54 (BS EN 60529:1992+A2:2013)	
	Dimensions – 179mm x 367mm x 142mm (W x H x D)	
Unit Material	Polycarbonate (303 EP-22)	
Operating Temperature	-30°C to +50°C	
Standard Base Colour	Black (Other colours available upon request)	
Standard Pod Colour	Green (Other colours available upon request)	



HOMESMART EV

- Built-in modem and GPRS signal antenna
- Built-in roaming Sim card connects directly to the strongest signal
- ev.energy Back Office management
- Smart charging control via the ev.energy smartphone app



OPTIONS & ACCESSORIES

- Corporate branding (colours, logo badge, etc)
- EV charging cables (Type 1 to Type 2 or Type 2 to Type 2)
- High gain, remote mounted GPRS signal antenna

Images are for marketing purposes only and are not contractual © 2021



Head office contact:
t: +44 (0) 1205 724754
f: +44 (0) 1205 724876
rolec@rolecserv.co.uk

Rolec Services Ltd
Ralphs Lane, Frampton West
Boston, Lincolnshire
UK. PE20 1QU

 @RolecEV
 /Rolec-Services
www.rolecserv.com

EVWPHSSD-V07-R3 WallPod EV HomeSmart Socketed - Data Sheet